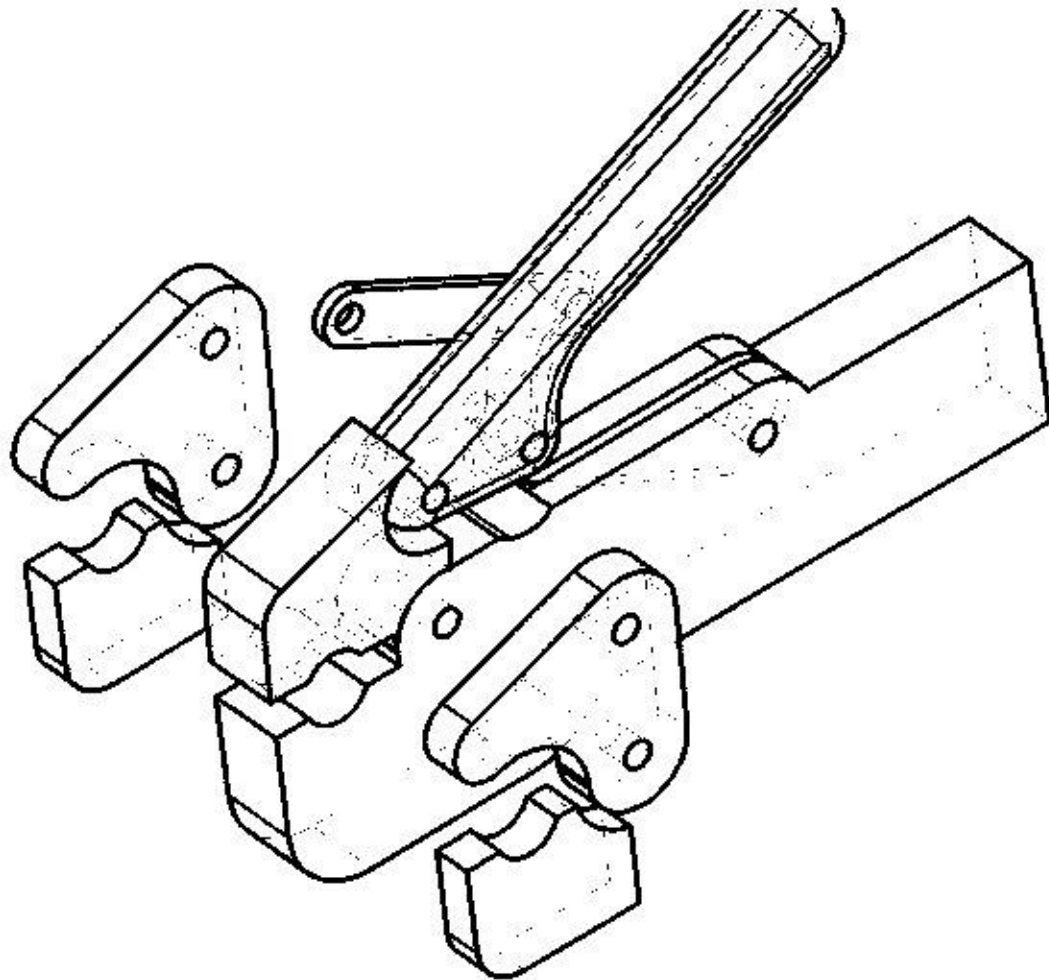
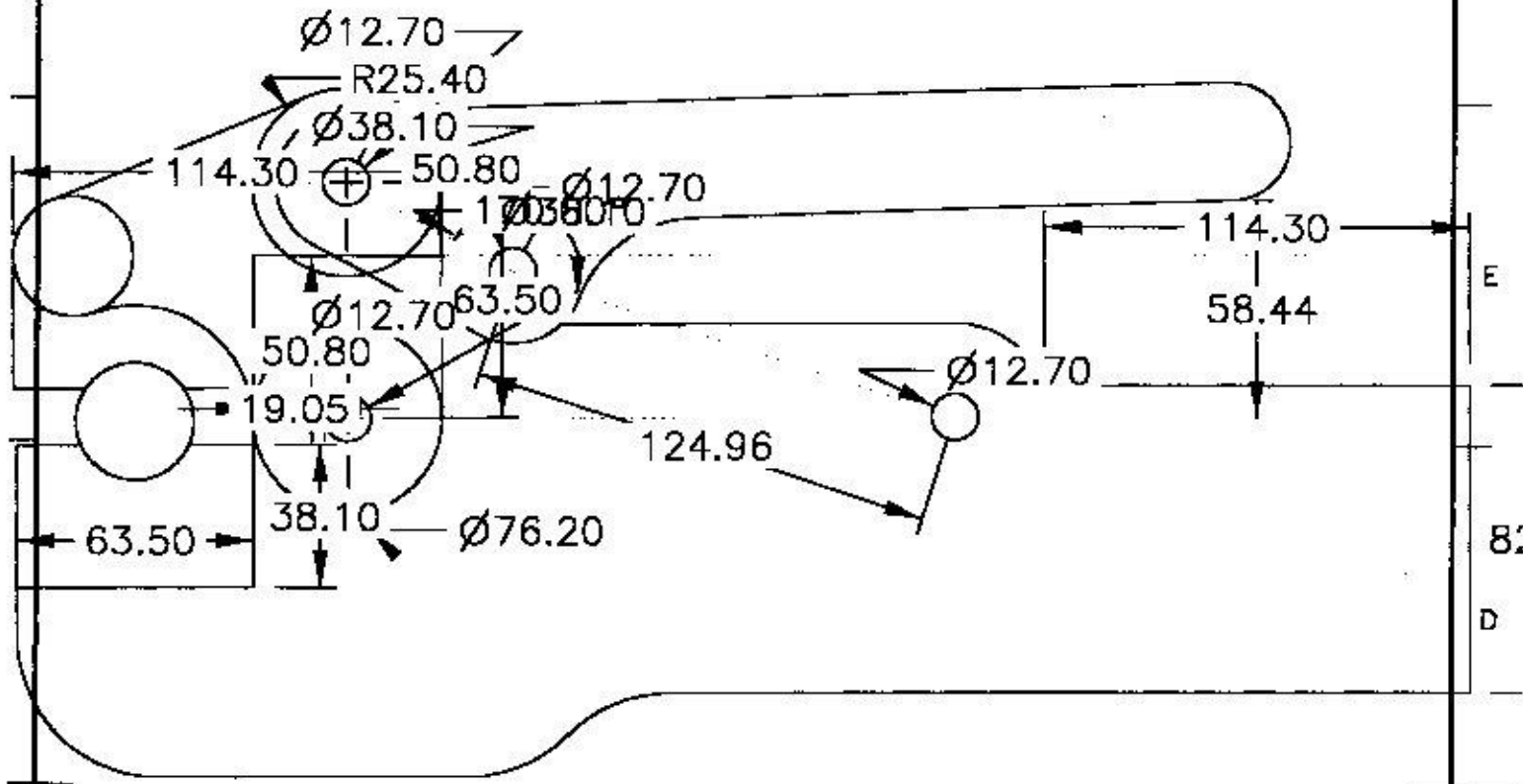


Materials:
 1) 2" x 6" Pine
 2-3) 2" x 4" Pine
 4-5) 1/2" Plywood

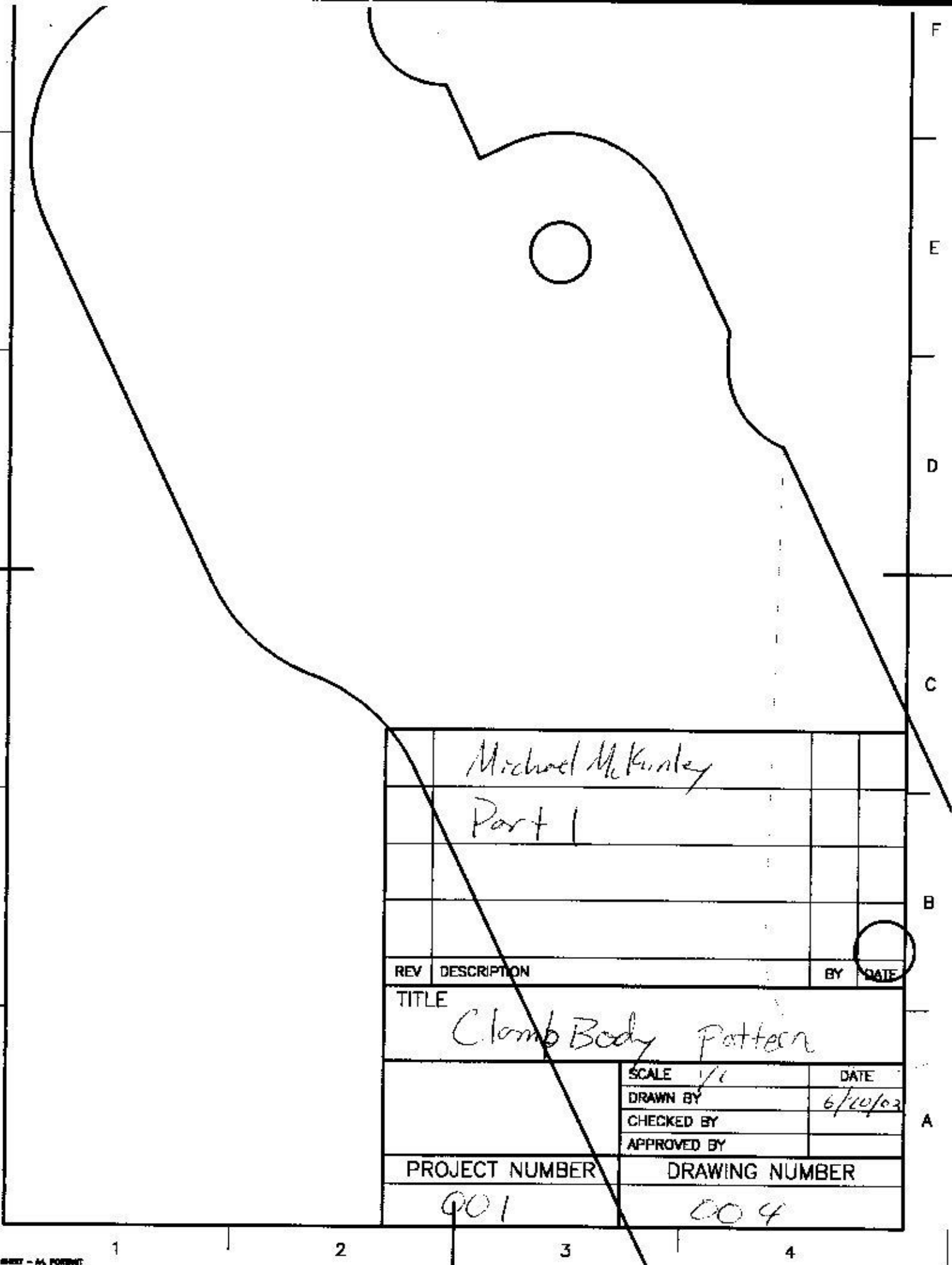
Michael McKinley			
REV	DESCRIPTION	BY	DATE
TITLE Bicycle Workstand Clamp			
		SCALE 1/3	DATE
		DRAWN BY	8/20/03
		CHECKED BY	
		APPROVED BY	
PROJECT NUMBER		DRAWING NUMBER	
001		001	



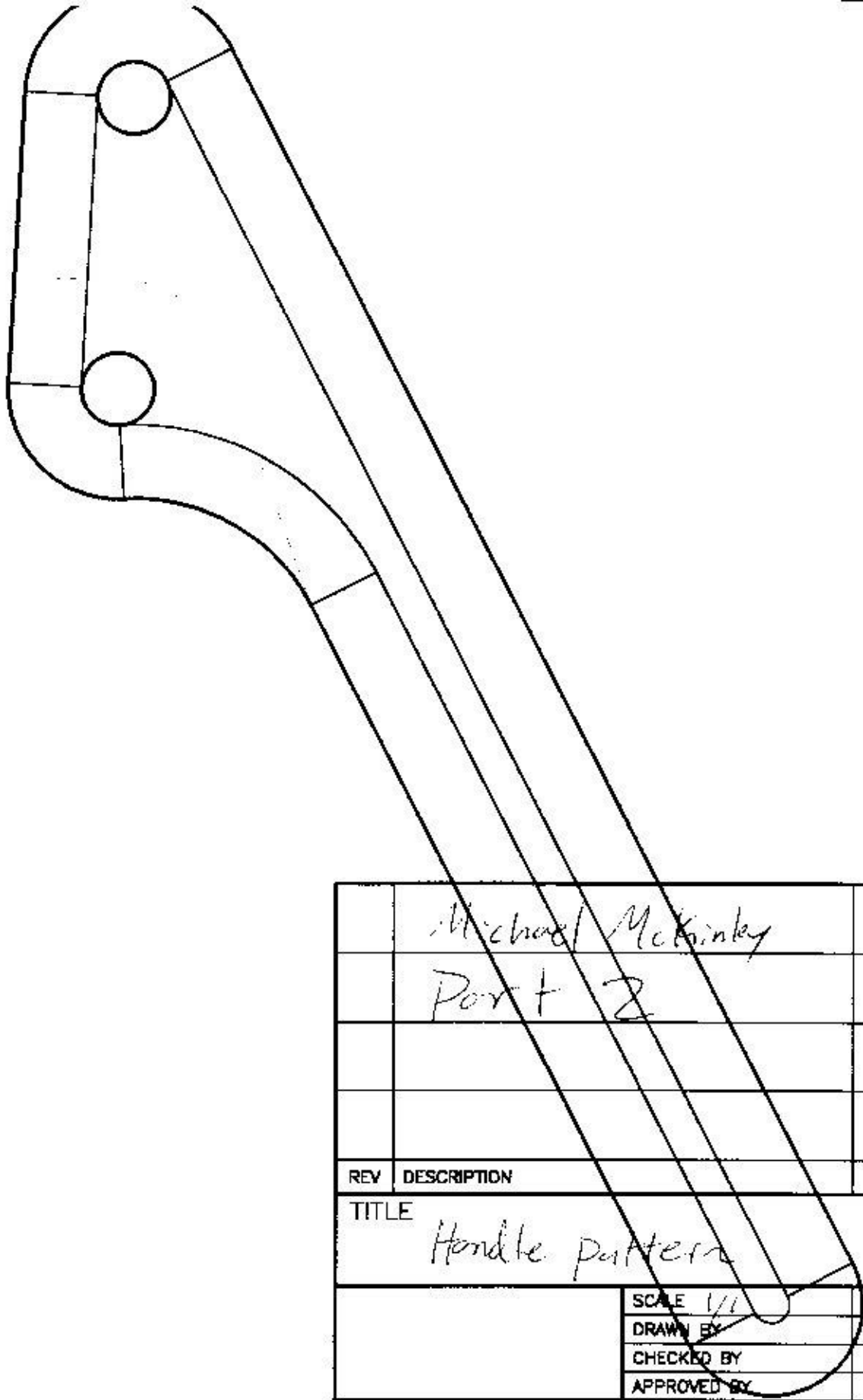
	Michael McKinley		
REV	DESCRIPTION	BY	DATE
TITLE Bicycle Clamp Exploded View			
	SCALE 1/3	DATE	
	DRAWN BY	6/20/03	
	CHECKED BY		
	APPROVED BY		
PROJECT NUMBER		DRAWING NUMBER	
001		002	



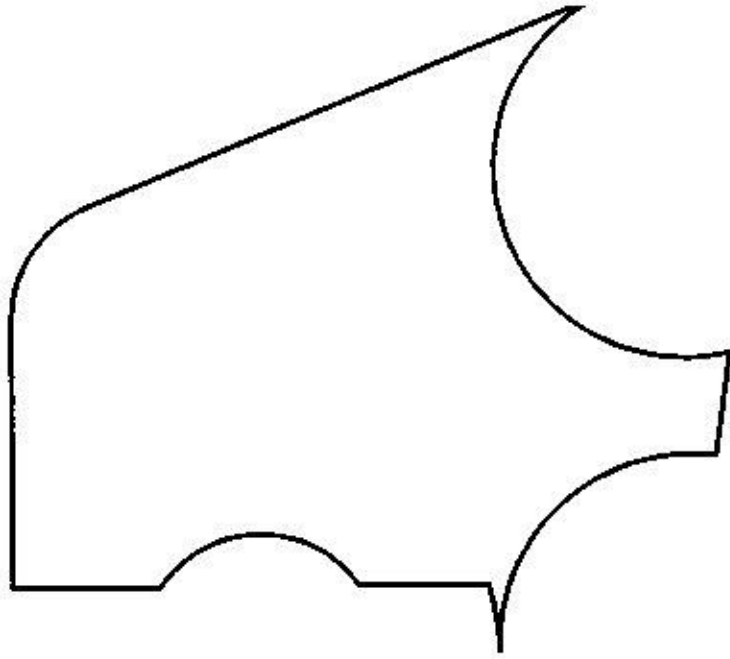
	<i>Michael McKinley</i>			
REV	DESCRIPTION	BY	DATE	
TITLE				
<i>Main Pattern</i>				
		SCALE	DATE	
		<i>1/2</i>	<i>6/20/03</i>	
		DRAWN BY		
		CHECKED BY		
		APPROVED BY		
PROJECT NUMBER		DRAWING NUMBER		
<i>001</i>		<i>003</i>		



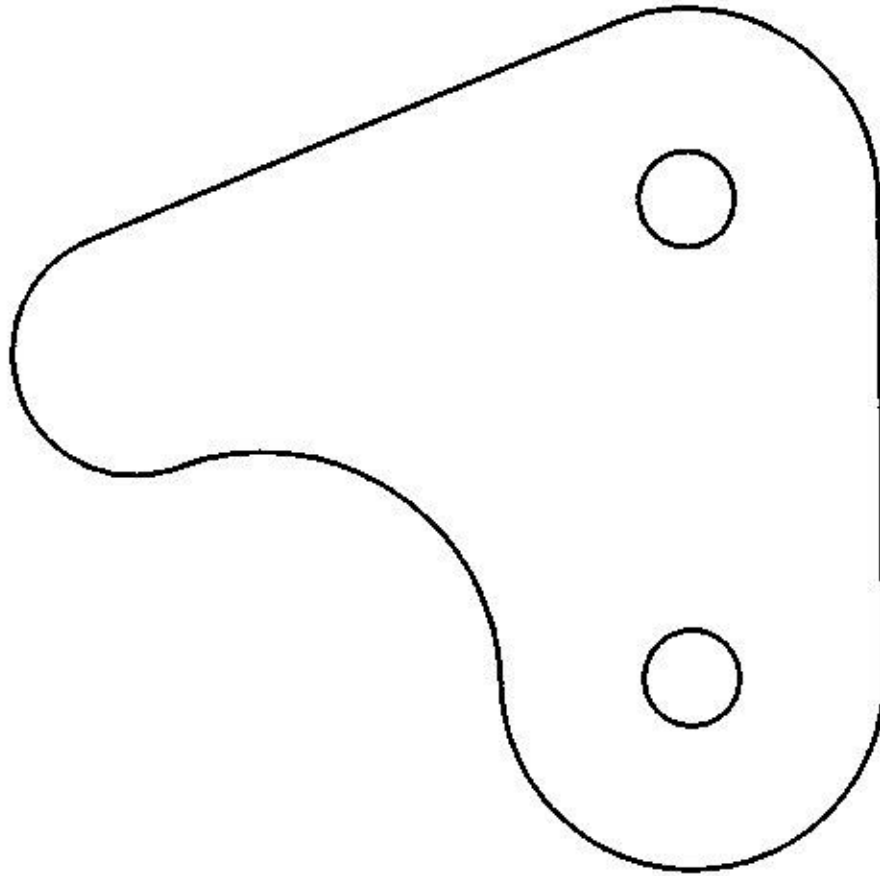
	Michael McKinley			
	Part 1			
REV	DESCRIPTION	BY	DATE	
TITLE				
Clamb Body Pattern				
	SCALE	DATE		
	1/1	6/20/03		
	DRAWN BY			
	CHECKED BY			
	APPROVED BY			
PROJECT NUMBER		DRAWING NUMBER		
001		004		



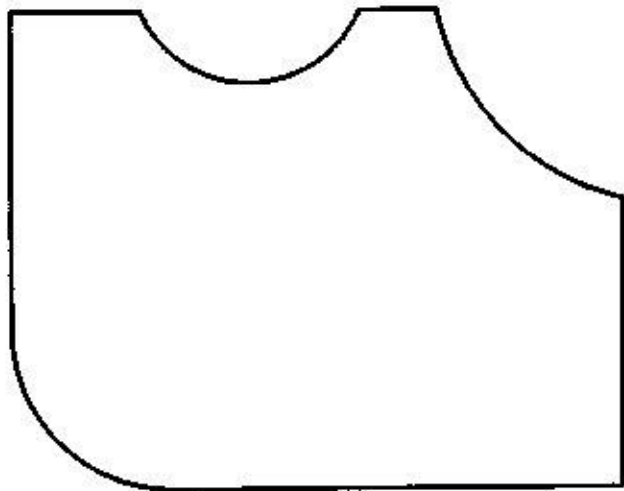
Michael McKinley			
Part 2			
REV	DESCRIPTION	BY	DATE
TITLE Handle pattern			
		SCALE 1/1	DATE
		DRAWN BY	6/20/03
		CHECKED BY	
		APPROVED BY	
PROJECT NUMBER		DRAWING NUMBER	
001		E-27-005	



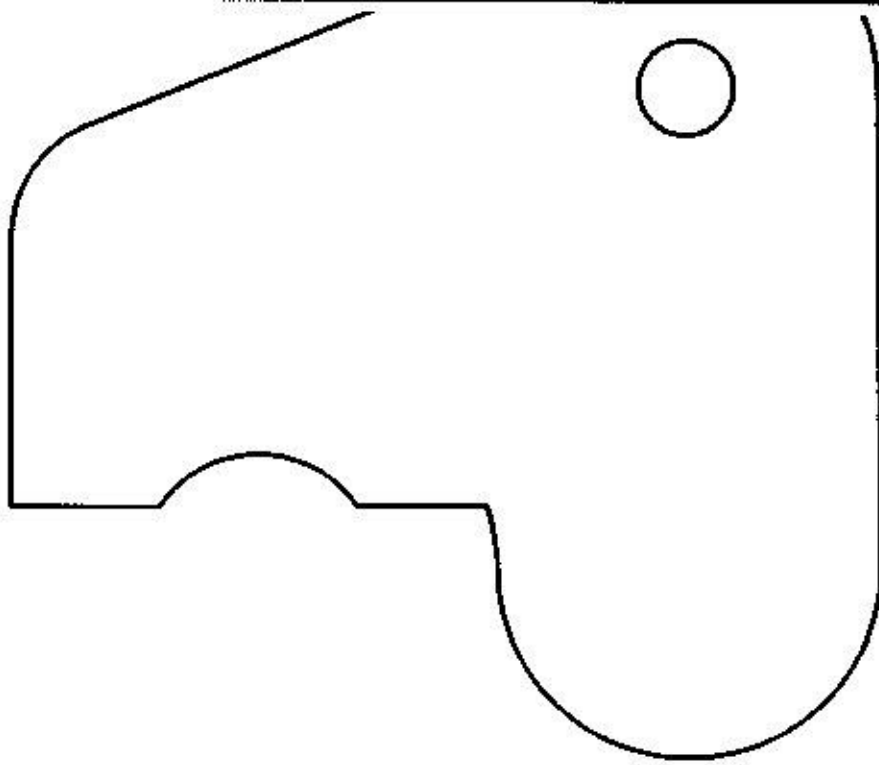
	Michael McKinley		
	Part 3		
REV	DESCRIPTION	BY	DATE
TITLE			
Upper Jaw Pattern			
	SCALE 1/1	DATE	
	DRAWN BY		
	CHECKED BY		
	APPROVED BY		
PROJECT NUMBER		DRAWING NUMBER	
		006	



	MGM		
	Part 4A		
REV	DESCRIPTION	BY	DATE
TITLE Side plate 1 Pattern			
		SCALE 1/2	DATE
		DRAWN BY	
		CHECKED BY	
		APPROVED BY	
PROJECT NUMBER		DRAWING NUMBER	
CC1		CC7	



	MGM		
	Part 5		
REV	DESCRIPTION	BY	DATE
TITLE			
Lower Jaw Pattern			
		SCALE	DATE
		DRAWN BY	
		CHECKED BY	
		APPROVED BY	
PROJECT NUMBER		DRAWING NUMBER	
001		002	



F

E

D

C

B

A

	MGM		
	Part 4B		
REV	DESCRIPTION	BY	DATE
TITLE Sideplate Z Pattern			
		SCALE <i>1/1</i>	DATE
		DRAWN BY	
		CHECKED BY	
		APPROVED BY	
PROJECT NUMBER		DRAWING NUMBER	
001		009	

1

2

3

4